

BRAVO



A CLOSER LOOK

Adjustable Headrest

Optional Headrest accessory adjusts 80mm (3.2") vertically.

- Pivoting range : 64°

Mesh Back and Seat

Provides dynamic support and allows airflow, providing a comfortable sit in any environment.

Arms

3D arms allow fluid adjustment in three directions :

- Height adjustment range : 60mm (2.4")
- Front-to-back adjustment range : 60mm (2.4")
- Pivoting arm caps : 15° inward and 15° outward

Synchro Tilt Mechanism

Recline with a synchro back and seat movement featuring a 3:1 back to seat tilt ratio.

4 position multi-lock with built-in safety return feature.

- Back reclines 18° from upright position.

Base

27" (688mm) Five-arm base is available in plastic or polished aluminum.



Flex Back System

Flex Back supports you and responds to your multidimensional movements

Lumbar Support

Lumbar height adjusts within a 100mm (4") range to provide additional lower back support..

Die-Casted Frame

Main Frame and Arm Frame connectors are made from Die Casting.

Seat Slider

Seat depth adjusts within a 60mm (2.4) range to accommodate users of varying leg lengths.

Casters

Soft dual wheel casters are 65mm O.D. for use on hard floors. Only available in Black.

FEATURES

- Adjustable headrest with PU Pad
- Mesh Back with Adjustable Lumbar Support
- Synchronized Mechanism with Tension Adjuster from DONATI
- Backrest Tilt Lock in 4 positions by lever
- Flex Back System
- Standard Seat Slider
- 3-way Adjustable Armrest
- Die-Casted Frame for Seat and Arm connectors
- 65mm Hoodless Hard Floor Casters in Black
- Frame available in Black
- Base available in Black, White and Polished Aluminum
- Standard 300 lbs. weight capacity
- GREENGUARD GOLD certified

Textile (Back and Seat)



Dot Blue
(5BED1)



Dot Green
(5GND1)



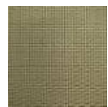
Dot Red
(5RDD1)



Dot Grey
(5GYD1)



Dot Black
(5BKD1)



Dot Brown
(5BND1)

Mesh (Back)



Line Mesh
Black (5LMK1)



Line Mesh
Grey (5LMY1)

Mesh (Seat)



Check Mesh
Black (5CMB1)

STATEMENT OF LINE



Standard
(BR -200M)



Combi
(BR -200C)



Upholstered Back and Seat
(BR -010S)



White Frame
(BR -200MW)

CERTIFICATIONS

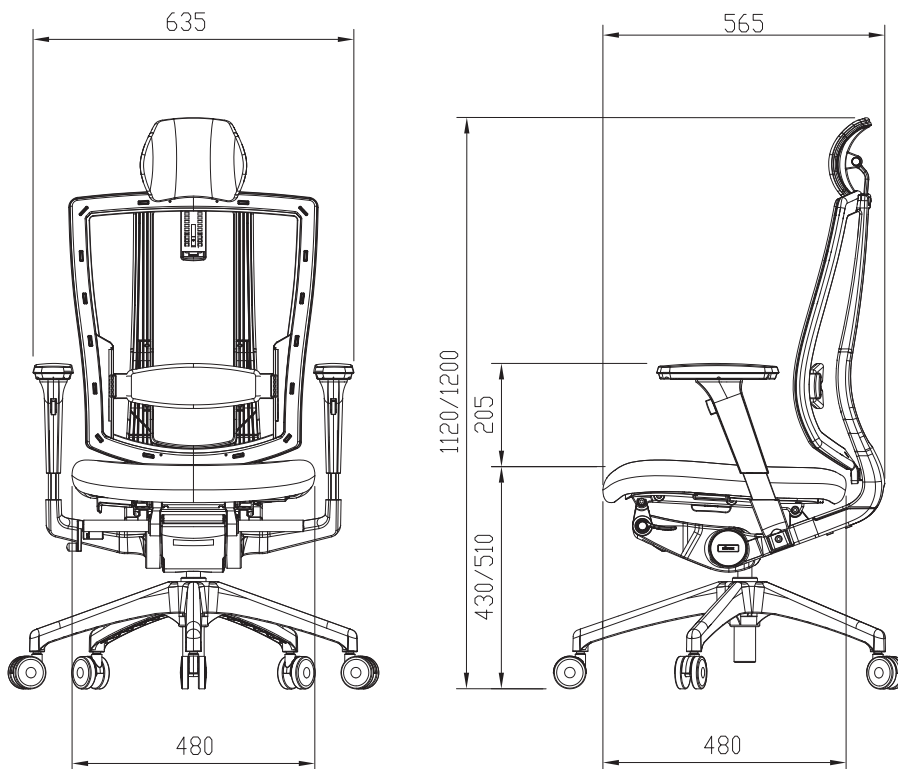
- ANSI/BIFMA X5.1-2017
- TB117-2013
- GREENGUARD Gold
- ISO 14001 & 9001



SPECIFICATIONS

• Net Weight	18.9kg (41.7 lbs)
• Headrest Frame	PA6 and PP
• Backrest Frame	PA6
• Lumbar Support	PA6 and PU
• Cushion Seats	Polyurethane fill
• Seat Pan Frame	PP
• Adj. Armrest	PA6 and PU
• Base Materials	PA6
• Casters Materials	PA6 and PU
• Carton Box Size	700*650*520(mm)
• Container Loading Plan	20ft : 113 boxes // 40ft : 234 boxes //
	40H : 256 boxes

DIMENSIONS



Ver. 202012

DUOBACK CO.,LTD

HQ (Factory) : 27, Gajaeul-ro 32beongil, Seo-gu, Incheon, 22829, Korea.
 Sales Office : #1002, 41, Digital-ro 31gil, Guro-gu, Seoul, 08375, Korea
 T : +82-2-6204-2584 / F : +82-32-816-4817 / export@duoback.co.kr
 www.DUOREST.com

