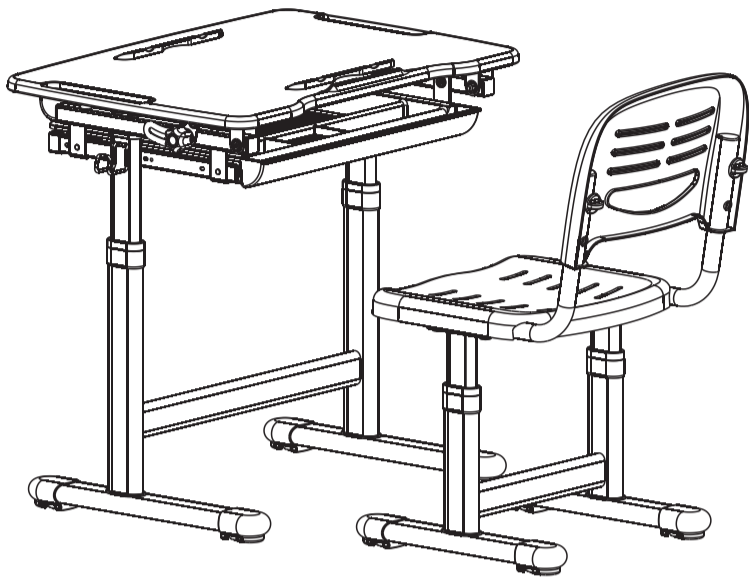


# FUN DESK

Model NO.: BAMBINO BLUE



**Parts List:**

- B1: Main desk frame
- B2x2: Desk legs
- B3: Desk backrest
- B4: Desk backrest support
- B5: Desk backrest support
- B6: Desk seat
- B7: Desk seat backrest
- B8: Desk seat base
- B9: Desk seat base
- B10: Desk seat base
- B11: Desk base
- B12: Desk base
- B13: Desk base
- B14x2: Desk base
- B15x2: Desk base

**Hardware List:**

- A1x8: Washer
- A2x12: Screw
- A3x12: Washer
- A4x4: Screw
- A5x2: Knob
- A6x4: Screw
- A7x4: Screw
- A8x4: Screw
- A9x4: Screw
- A10x1: Hex key
- A11x1: Bracket
- A12x1: Bracket
- A13x1: Bracket
- A14x1: Bracket

**CAUTION!**

1. This product is intended for indoor use only.
2. This product should be placed on the flat ground.
3. Once water, oil and other liquid adhere to the surface of product, you should quickly wipe it clean.
4. Please regularly check and fasten joint parts in case of product shake and loosening.
5. Do not lay product in place of the corrosive gas and moisture in case of surface damage.
6. Never fasten screws tightly before all screws fixed to the right place.
7. Please use damp cloth to clean the desktop.

## Healthy Ergo Study Desk & Chair

ASSEMBLY INSTRUCTIONS

### CHAIR ASSEMBLY INSTRUCTIONS

**1**

B1

B2x2

**2**

A1x4 A2x4 A10

**3**

A3x2 A2x2

B3

**4**

A3x2 A2x2

B4

B5

**5**

A4x4

B6

**6**

B7

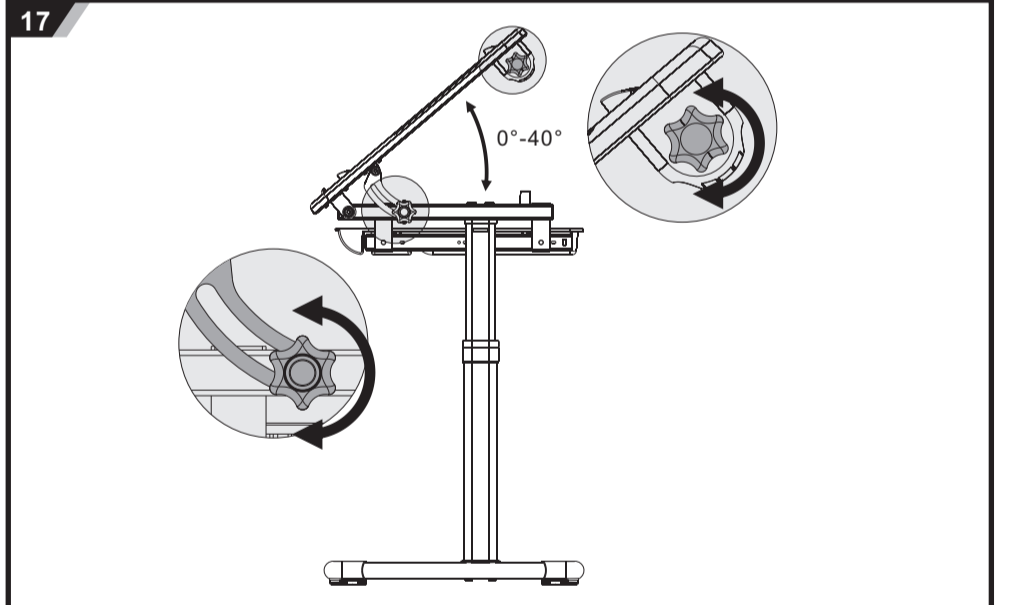
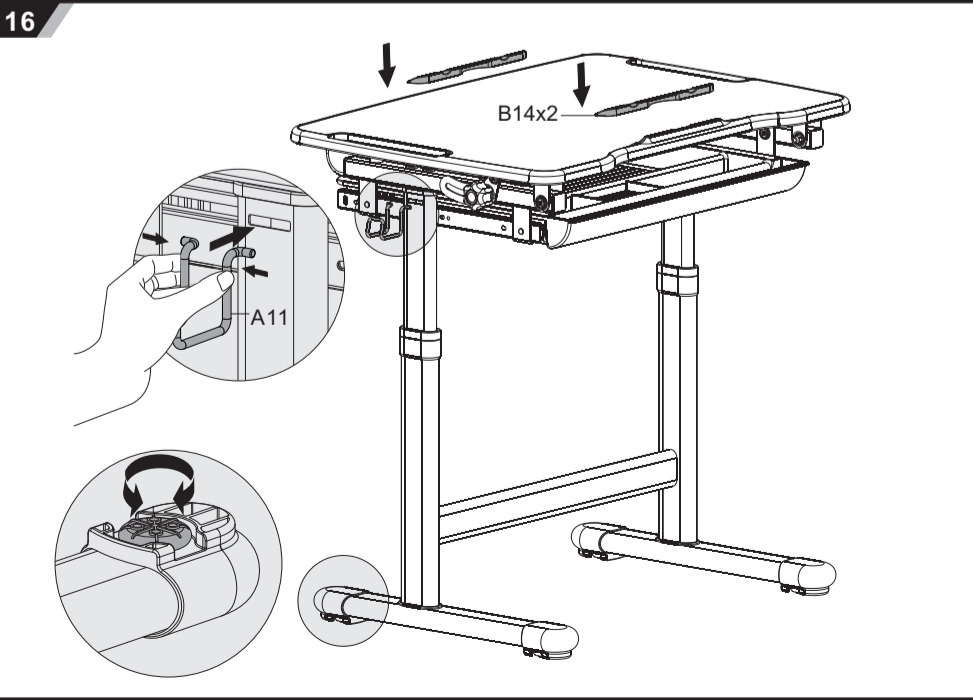
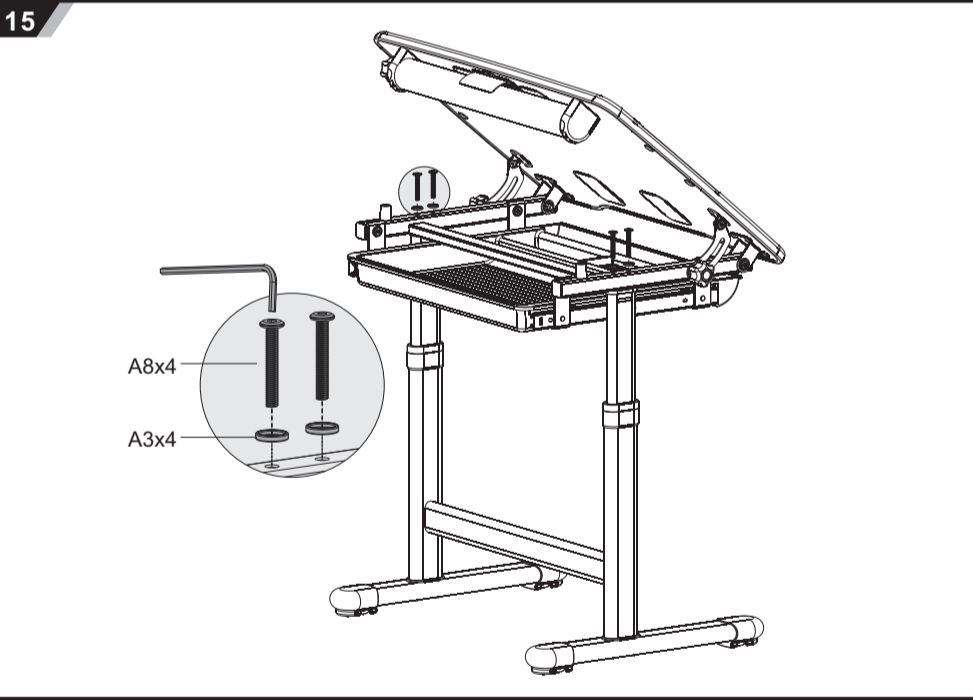
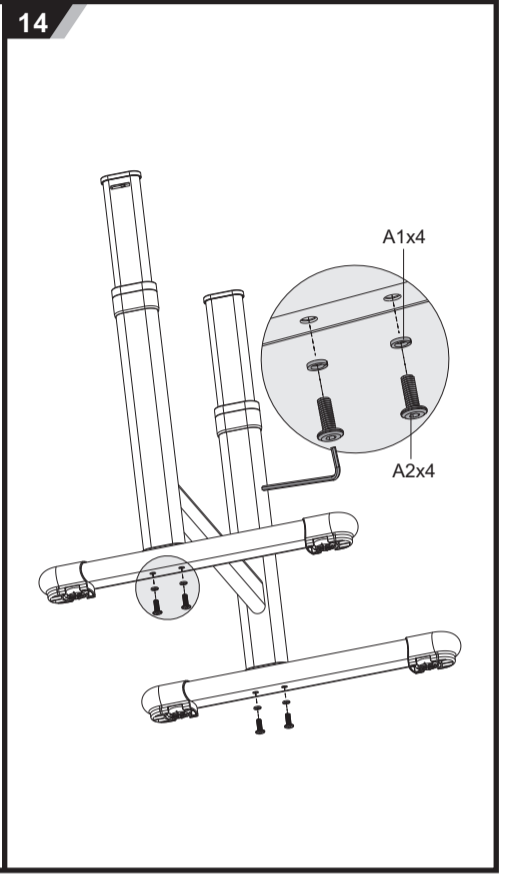
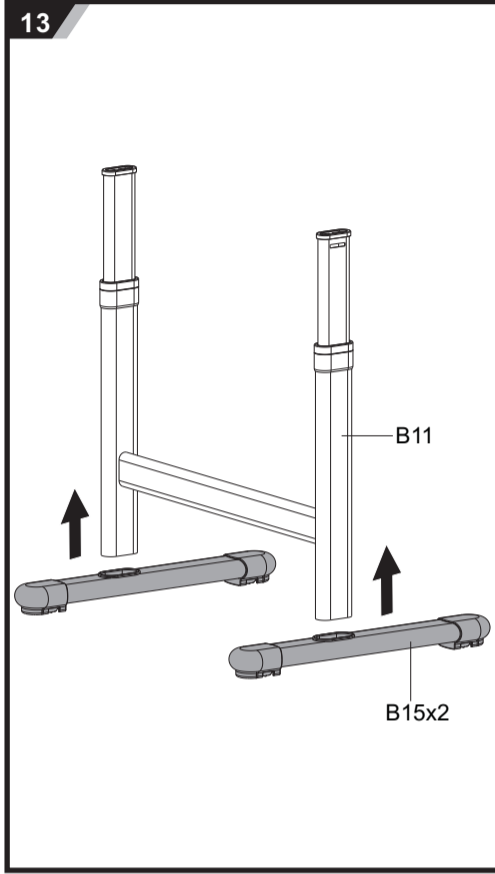
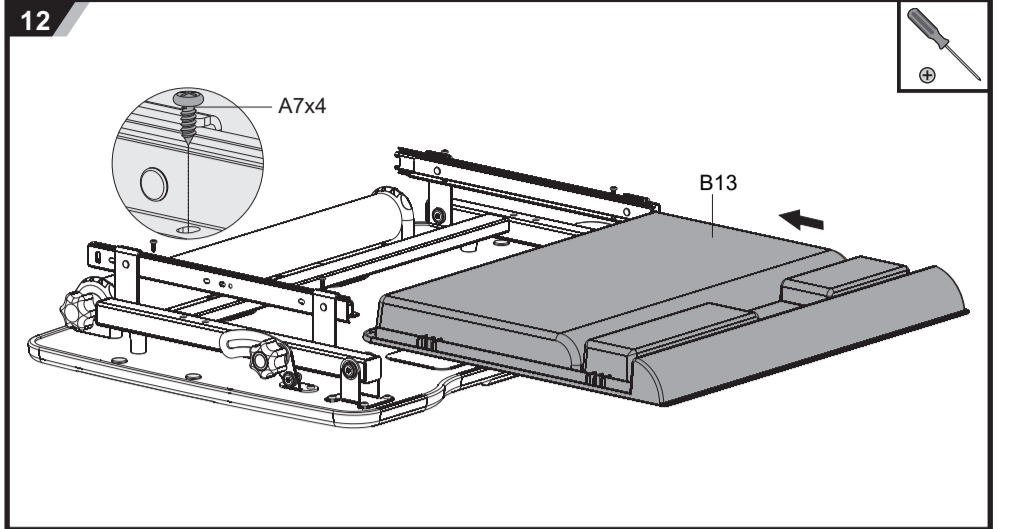
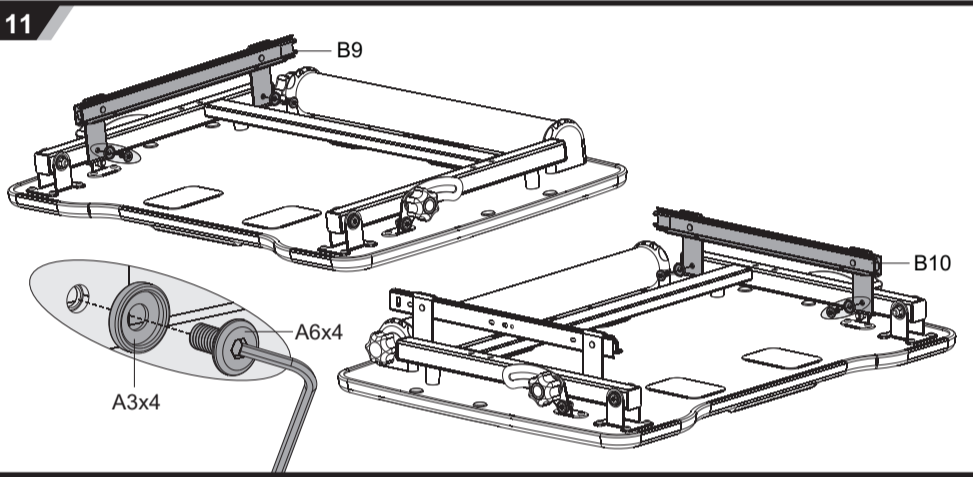
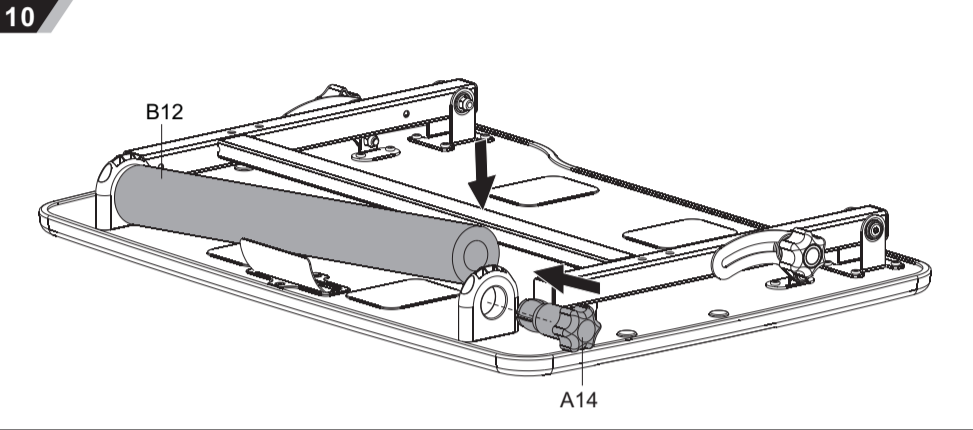
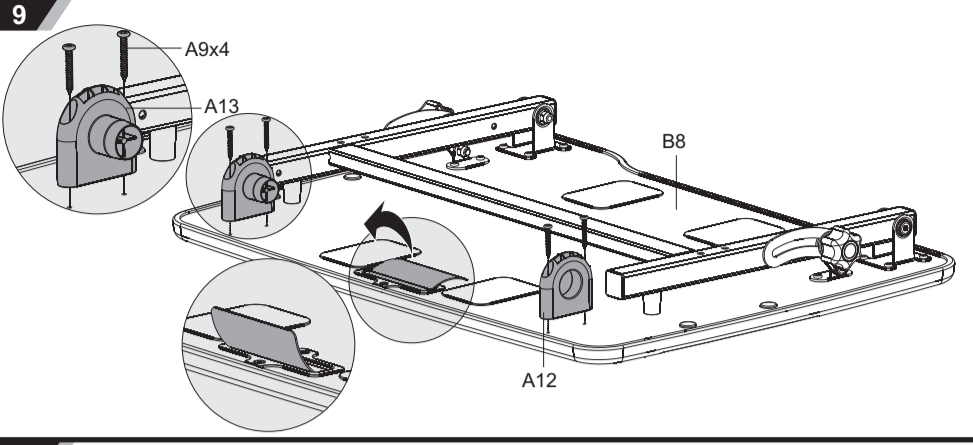
A5x2

**7**

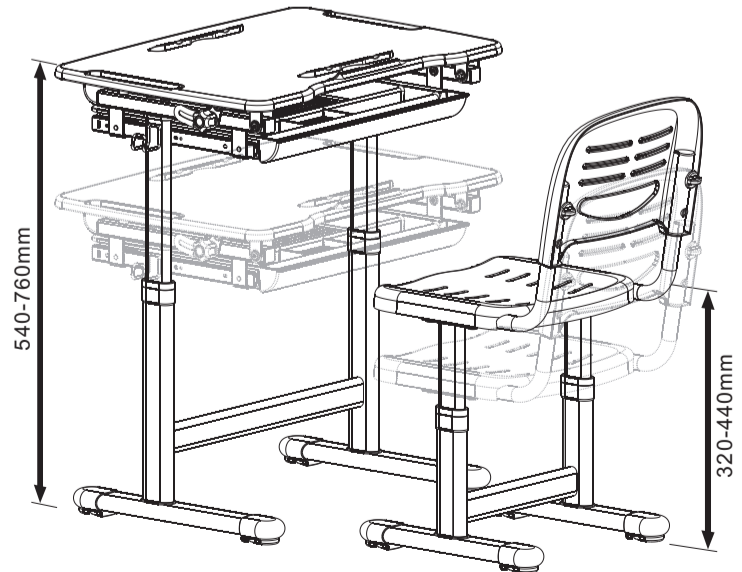
A5x2

**8**

# DESK ASSEMBLY INSTRUCTIONS



## HEIGHT ADJUSTMENT



### How to lift up

Desk and chair can be adjusted higher by direct pulling up. Step on the support bar with one foot and pull up desk/chair to the height needed.

### How to lower down

Pull up to the max height and slowly lower down to the min height. Pull up again to the height needed.